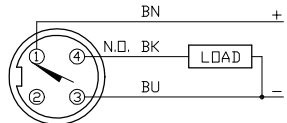
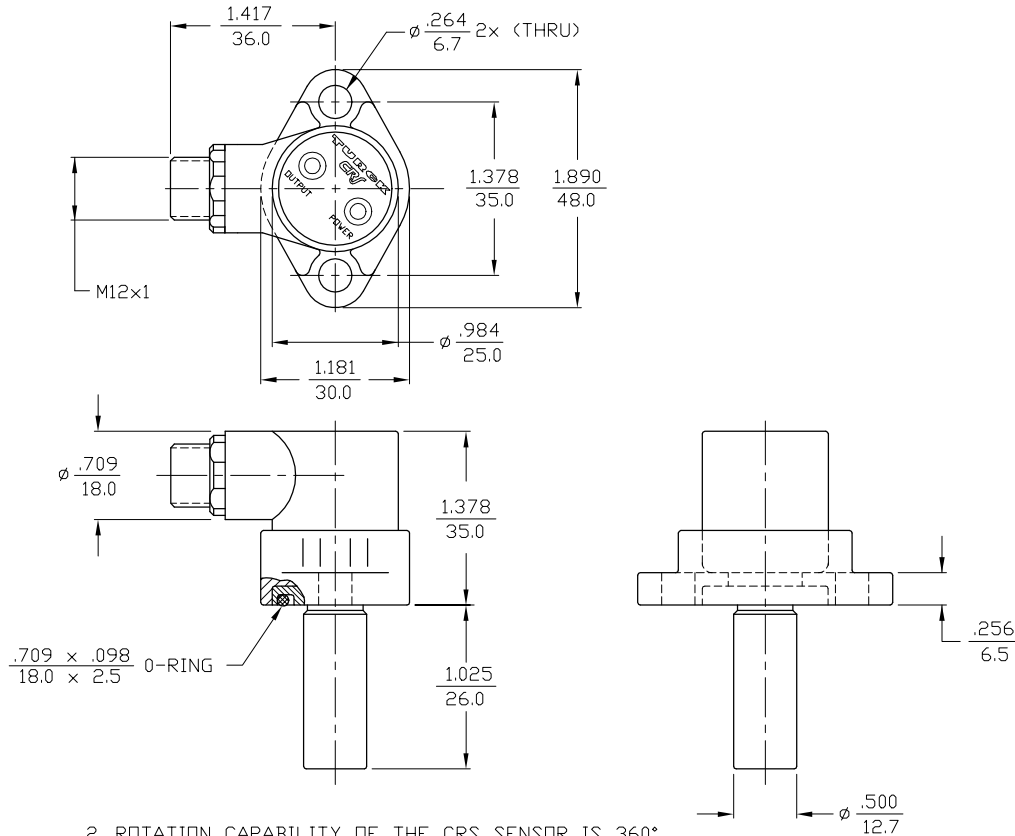


WIRING DIAGRAMS



OUTPUT: AP4X2

SHORT-CIRCUIT AND OVERLOAD PROTECTED



2. ROTATION CAPABILITY OF THE CRS SENSOR IS 360°.

NOTES: 1. "/S34" DESIGNATES WELD FIELD IMMUNITY. SENSOR IS SUITABLE FOR USE ON RESISTANCE WELDING MACHINES.

SPECIFICATIONS

OPERATING VOLTAGE	10-65 V DC (SHORT-CIRCUIT PROTECTED)
RIPPLE	≤10%
HYSTERESIS (DIFFERENTIAL TRAVEL)	3-15% (5% TYPICAL)
VOLTAGE DROP ACROSS CONDUCTING SENSOR	2.0 V at 200 mA (1.3 V TYPICAL)
OUTPUT FUNCTION	NORMALLY OPEN 3-WIRE DC SELF-CONTAINED
TTL COMPATIBLE	NO
SHORT-CIRCUIT PROTECTED	YES
TRIGGER CURRENT FOR OVERLOAD PROTECTION	250-350 mA
CONTINUOUS LOAD CURRENT	≤200 mA
LEAKAGE CURRENT	<10 μA
NO-LOAD CURRENT	7.5 mA TYP. (24 V DC) 10.0 mA TYP. (65 V DC)
POWER-ON EFFECT PROTECTION	INCORPORATED
POLARITY INVERSION PROTECTION	INCORPORATED
WIRE BREAK PROTECTION	INCORPORATED
PROTECTION AGAINST TRANSIENTS	<2 kV <1 ms <1 J
OPERATING TEMPERATURE	-25°C to +75°C (-13°F to +167°F)
ENCLOSURE	MEETS NEMA 1, 3, 4, 6, 13 AND IEC IP67
SHOCK	≤30 g, 11 ms
VIBRATION	10 Hz to 55 Hz, ≤1 mm AMPLITUDE (IN ALL 3 PLANES)
LED FUNCTION	YELLOW: OUTPUT ENERGIZED GREEN: POWER ON
RATED OPERATING DISTANCE(Sn)	2 mm = .079" (NOMINAL)
SWITCHING FREQUENCY	30 Hz (APPROX.)
REPEATABILITY	<1%
OPERATING PRESSURE	1500 PSI (MAX. APPLIED 3000 PSI)
RESPONSE TIME	15 ms MAX.
SHIELDED	YES
COLOR CODE	BLUE
MATING PLUGS/CABLES	4-PIN "EUROFAST" CONSTRUCTION

MATERIAL	3RD ANGLE PROJECTION			TURCK INC 3000 CAMPUS DRIVE MINNEAPOLIS, MN 55441 PHONE: (612) 553-7300
FINISH				
DRFT GMB	DATE 6/9/89	PART NO./DESCR.		REV B
DSGN	Y#	BI 2-CRS260-AP4X2-H1141/S34		
TMI	SIZE B	ID NO.	T4570890	
DIMENSION UNITS: INCHES [MILLIMETERS]		SCALE NONE	T4570890	SHEET OF

B	REMOVE TABULATION	CBM	8/27/01	T4773
REV	DESCRIPTION	DRFT	DATE	ECO NO.
REVISIONS				